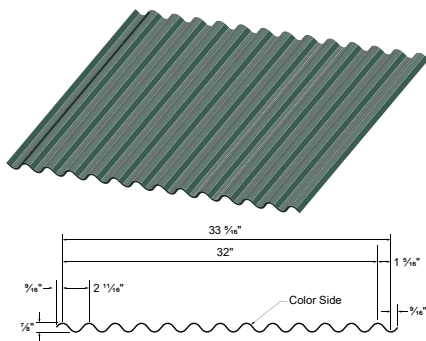


EXPOSED FASTENING SYSTEM



The PBC panels can be used for both roof and wall applications. PBC panels are attached to a building structure with exposed fasteners. The PBC panel is often used in horizontal applications on walls.



PRODUCT SPECIFICATIONS

Applications: Roof and Wall
Coverage Widths: 32"
Rib Spacing: 2.67" on center
Rib Height: 7/8"
Minimum Slope: 3:12
Panel Attachment: Exposed Fastening System

Gauges: 26 (Standard); 29, 24, 22 (Optional)
Finishes: Smooth (standard); Embossed (optional)
Coatings: Galvalume® Plus, Signature® 200, Signature® 300

CATEGORY	CHARACTERISTIC	TEST METHOD	PURPOSE	RESULT
ENVIRONMENTAL	Impact Resistance	UL 2218	Determines Impact Resistance of prepared Roof Covering Materials	Class 4 Rating
FIRE RESISTANCE	Room Fire Performance	UL 790	Standard for Standard Test Methods for Fire Tests of Roof Coverings	See Class A Fire Rating Data Sheet
STRUCTURAL	Negative Wind Loads	AISI S100	North American Specification for the Design of Cold-Formed Steel Structural Members	See Section Properties and Allowable Load Table Section
	Gravity Loads	AISI S100	North American Specification for the Design of Cold-Formed Steel Structural Members	See Section Properties and Allowable Load Table Section
ROOF LISTINGS	Roof Performance - Florida Approval	UL 580 UL 1897 UL 790	Florida product approval is the approval of products and systems, which comprise the building envelope and structural frame, for compliance with the structural requirements of the Florida Building Code.	FL# 42379.7, 42379.8, 42382.10
WAL LISTINGS	Wall Performance - Florida Approval	ASTM E1592	Florida product approval is the approval of products and systems, which comprise the building envelope and structural frame, for compliance with the structural requirements of the Florida Building Code.	See FL# 42378.9

Descriptions and specifications contained herein were in effect at the time this publication was approved for printing. In a continuing effort to refine and improve products, American Building Components reserves the right to discontinue products at any time or change specifications and/or designs without incurring obligation. Projects should be designed to conform to applicable building codes, regulations and accepted industry practices. To ensure you have the latest information available, please inquire or visit our website at abcmetalroofing.com.

© 2025 American Building Components, part of **Cornerstone Building Brands**, Inc. ALL RIGHTS RESERVED. 0805219991122/RevC/MS/0325