



PRODUCT GUIDE

BUILD BETTER. BUILD STRONGER. BUILD TO LAST.

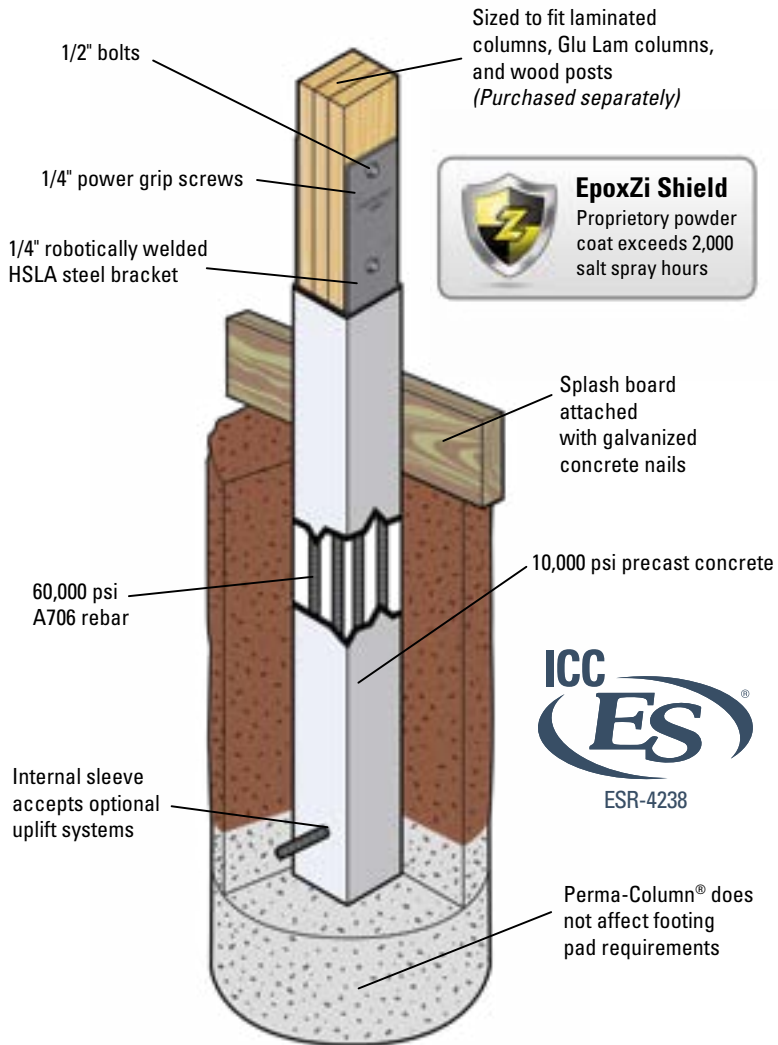


CONTENTS

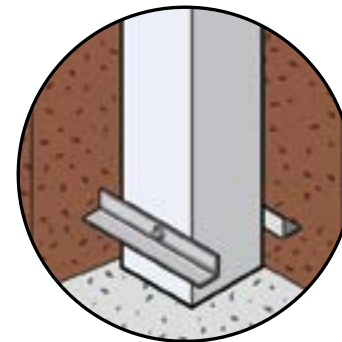


PRECAST CONCRETE COLUMNS

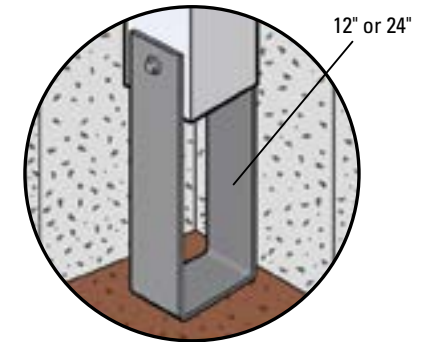
ICC-ES certified Perma-Column® precast concrete columns elevate wood out of the ground, ensuring your building's foundation will never rot. They combine the economy of post-frame construction with the durability of a concrete foundation. They are constructed of 100% American-made 1/4" steel finished with a tough powder coat, 1/2" and 5/8" grade 60 rebar, and 10,000 psi concrete.



Model ID	Type	Bracket height	Description	Weight (lbs.)
PC4600	4" x 6"	13"	3-5/8" pocket fits 4" x 6" post	135
PC6300	3-Ply 2" x 6"	13"	4-5/8" pocket fits 3-Ply 6" laminated column	165
PC6400	4-Ply 2" x 6"	18"	6-1/8" pocket fits 4-Ply 6" laminated column	215
PC6600	6" x 6"	13"	5-5/8" pocket fits 6" x 6" post	196
PC8300	3-Ply 2" x 8"	18"	4-5/8" pocket fits 3-Ply 8" laminated column	235
PC8400	4-Ply 2" x 8"	18"	6-1/8" pocket fits 4-Ply 8" laminated column	290
PC8500	5-Ply 2" x 8"	18"	7-5/8" pocket fits 5-Ply 8" laminated column	345



OPTIONAL UPLIFT ANCHORS*



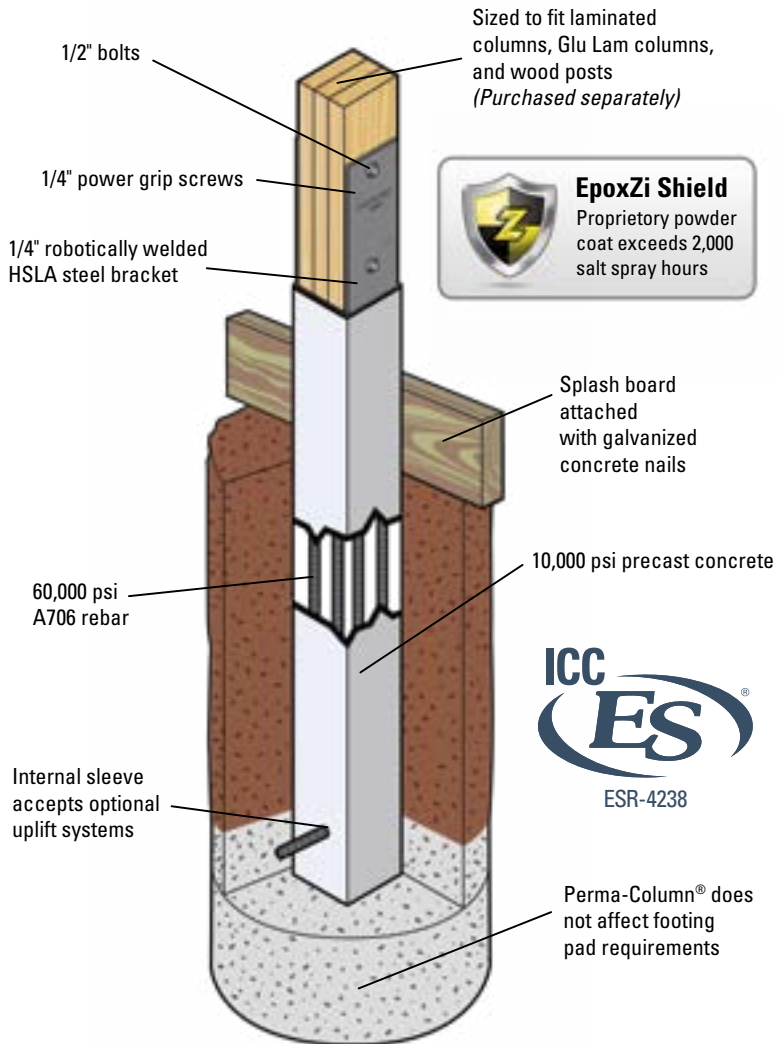
OPTIONAL COLUMN EXTENDER*

*Uplift kits and hardware sold separately. Don't forget concrete nails (Item HW28) to attach the treated base board.

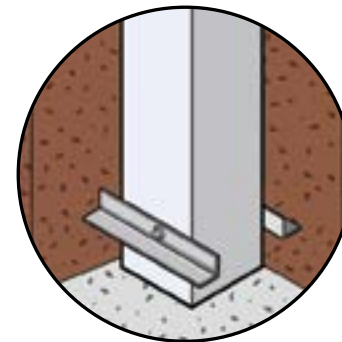
PRECAST CONCRETE COLUMNS

GLU LAM

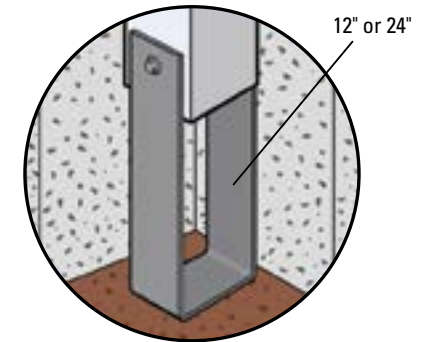
ICC-ES certified Perma-Column® precast concrete columns elevate wood out of the ground, ensuring your building's foundation will never rot. They combine the economy of post-frame construction with the durability of a concrete foundation. They are constructed of 100% American-made 1/4" steel finished with a tough powder coat, 1/2" and 5/8" grade 60 rebar, and 10,000 psi concrete.



Model ID	Type	Bracket height	Description	Weight (lbs.)
PC6300GL	3-Ply 2" x 6"	13"	4-3/16" pocket fits 3-Ply 6" laminated column	165
PC6400GL	4-Ply 2" x 6"	18"	5-9/16" pocket fits 4-Ply 6" laminated column	215
PC8300GL	3-Ply 2" x 8"	18"	4-3/16" pocket fits 3-Ply 8" laminated column	235
PC8400GL	4-Ply 2" x 8"	18"	5-9/16" pocket fits 4-Ply 8" laminated column	290
PC8500GL	5-Ply 2" x 8"	18"	6-15/16" pocket fits 5-Ply 8" laminated column	345



OPTIONAL UPLIFT ANCHORS*



OPTIONAL COLUMN EXTENDER*

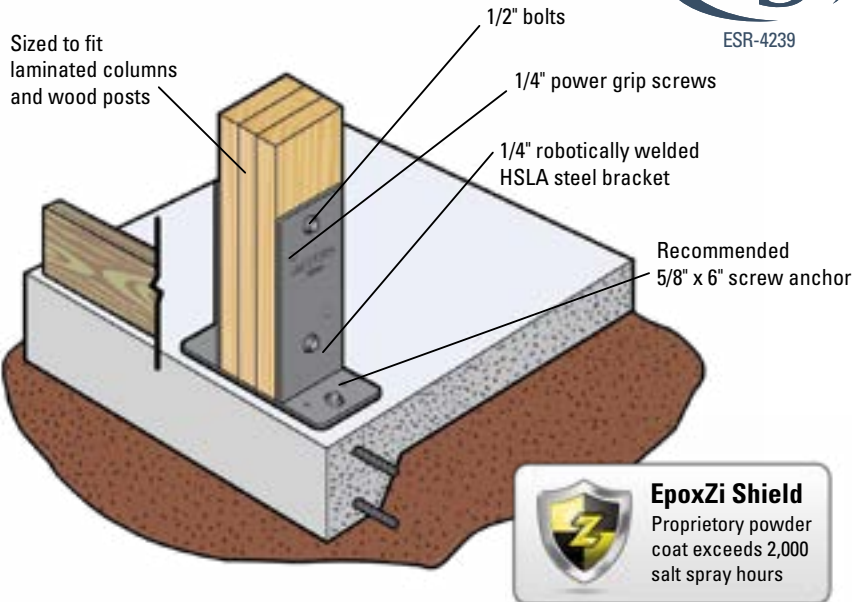
*Uplift kits and hardware sold separately. Don't forget concrete nails (Item HW28) to attach the treated base board.

STURDI-WALL® ANCHOR BRACKETS

The Sturdi-Wall® system allows for post-frame construction on traditional concrete foundations. ICC-ES certified Sturdi-Wall® anchor brackets are constructed of 100% American-made 1/4" steel, robotically welded, and finished with a tough powder coat. Install these engineered wall brackets with a masonry drill bit and concrete anchors.*



DRILL SET



Model ID	Type	Bracket height	Description	Weight (lbs.)
SW46	4" x 6"	13"	3-5/8" pocket fits 4" x 6" post	13
SW60	6" universal	13"	Used in pairs to fit odd-sized columns, or alone at corners and doors	6
SW63	3-Ply 6"	13"	4-5/8" pocket fits 3-Ply 6" laminated column	13
SW64	4-Ply 6"	13"	6-1/8" pocket fits 4-Ply 6" laminated column	13
SW66	6" x 6"	13"	5-5/8" pocket fits 6" x 6" post	13
SW80	8" universal	18"	Used in pairs to fit odd-sized columns, or alone at corners and doors	10
SW83	3-Ply 8"	18"	4-5/8" pocket fits 3-Ply 8" laminated column	24
SW84	4-Ply 8"	18"	6-1/8" pocket fits 4-Ply 8" laminated column	24
SW85	5-Ply 8"	18"	7-5/8" pocket fits 5-Ply 8" laminated column or 8" x 8" post	26
SW88	8" x 8"	18"	8-1/8" pocket fits 8" x 8" architectural post	27

*Hardware sold separately.

STURDI-WALL
ANCHOR BRACKETS

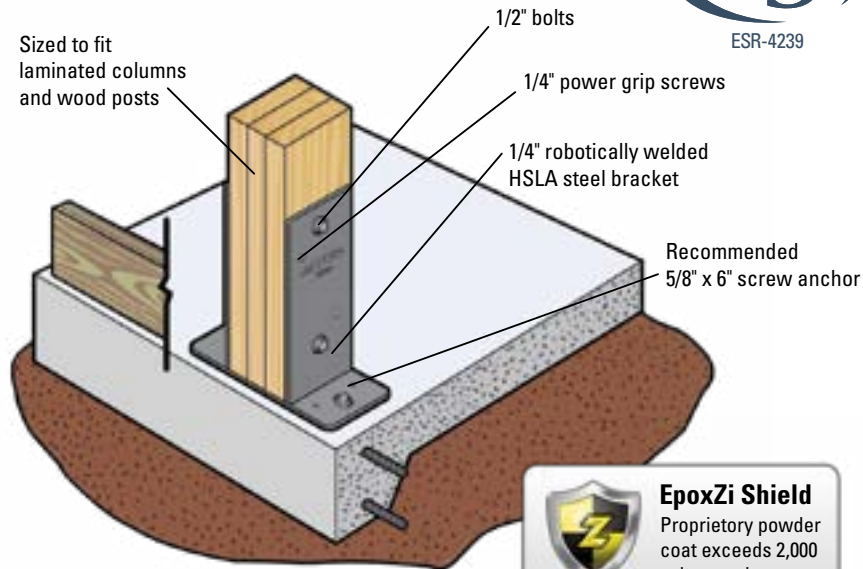
STURDI-WALL® ANCHOR BRACKETS

The Sturdi-Wall® system allows for post-frame construction on traditional concrete foundations. ICC-ES certified Sturdi-Wall® anchor brackets are constructed of 100% American-made 1/4" steel, robotically welded, and finished with a tough powder coat. Install these engineered wall brackets with a masonry drill bit and concrete anchors.*



DRILL SET

Sized to fit laminated columns and wood posts



Model ID	Type	Bracket height	Description	Weight (lbs.)
SW60	6" universal	13"	Used in pairs to fit odd-sized columns, or alone at corners and doors	6
SW63GL	3-Ply 6"	13"	4-3/16" pocket fits 3-Ply 6" laminated column	13
SW64GL	4-Ply 6"	13"	5-9/16" pocket fits 4-Ply 6" laminated column	13
SW80	8" universal	18"	Used in pairs to fit odd-sized columns, or alone at corners and doors	10
SW83GL	3-Ply 8"	18"	4-3/16" pocket fits 3-Ply 8" laminated column	24
SW84GL	4-Ply 8"	18"	5-9/16" pocket fits 4-Ply 8" laminated column	24
SW85GL	5-Ply 8"	18"	6-15/16" pocket fits 5-Ply 8" laminated column or 8" x 8" post	26

*Hardware sold separately.

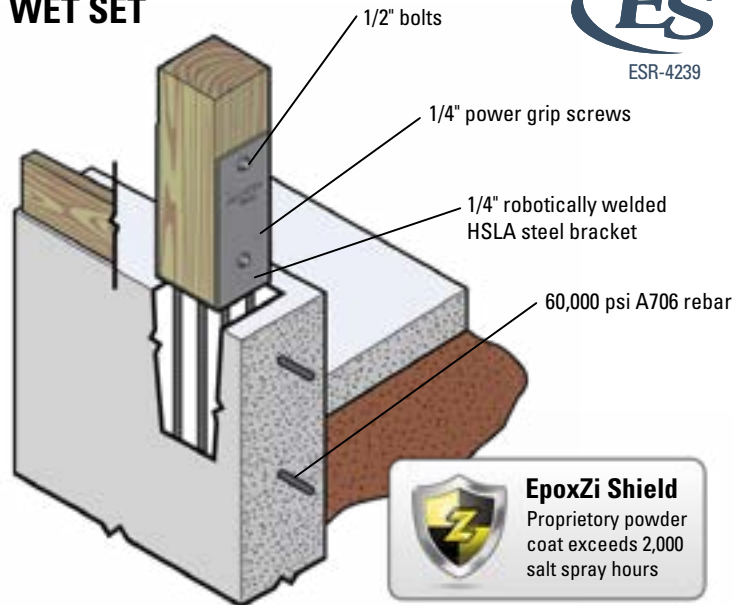
STURDI-WALL
ANCHOR BRACKETS

STURDI-WALL® PLUS ANCHOR BRACKETS

The Sturdi-Wall® system allows for post-frame construction on traditional concrete foundations. ICC-ES certified Sturdi-Wall® Plus anchor brackets are constructed of 100% American-made 1/4" steel, robotically welded, and finished with a tough powder coat. Provides the highest ultimate strength connection to your foundation but requires installation while concrete is still wet.*



WET SET



Model ID	Type	Bracket height	Description	Weight (lbs.)
SWP46	4" x 6"	13"	3-5/8" pocket fits 4" x 6" post	16
SWP63	3-Ply 6"	13"	4-5/8" pocket fits 3-Ply 6" laminated column	16
SWP66	6" x 6"	13"	5-5/8" pocket fits 6" x 6" post	17
SWP64	4-Ply 6"	18"	6-1/8" pocket fits 4-Ply 6" laminated column	21
SWP83	3-Ply 8"	18"	4-5/8" pocket fits 3-Ply 8" laminated column	27
SWP84	4-Ply 8"	18"	6-1/8" pocket fits 4-Ply 8" laminated column	28
SWP85	5-Ply 8"	18"	7-5/8" pocket fits 5-Ply 8" laminated column or 8" x 8" post	29
SWP88	8" x 8"	18"	8-1/8" pocket fits 8" x 8" architectural post	30

*Hardware sold separately.



STURDI-WALL
ANCHOR BRACKETS

STURDI-WALL® PLUS ANCHOR BRACKETS

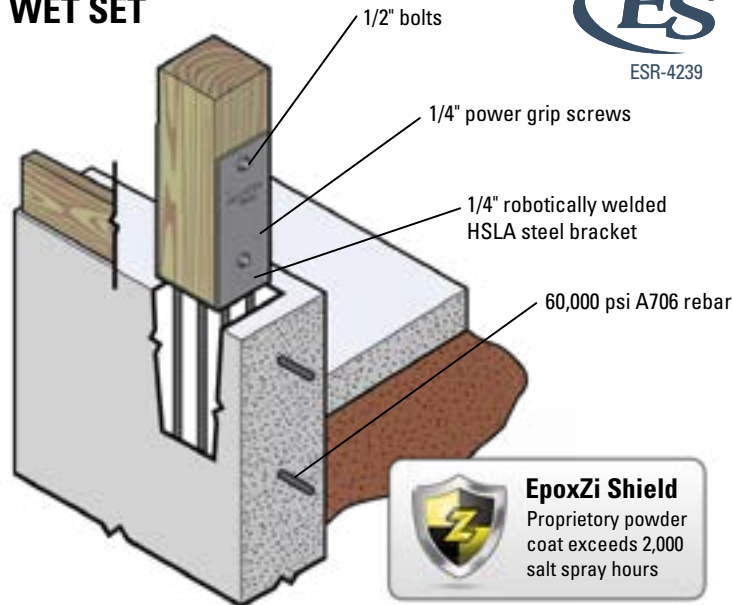
GLU LAM

The Sturdi-Wall® system allows for post-frame construction on traditional concrete foundations. ICC-ES certified Sturdi-Wall® Plus anchor brackets are constructed of 100% American-made 1/4" steel, robotically welded, and finished with a tough powder coat. Provides the highest ultimate strength connection to your foundation but requires installation while concrete is still wet.*



Model ID	Type	Bracket height	Description	Weight (lbs.)
SWP63GL	3-Ply 6"	13"	4-3/16" pocket fits 3-Ply 6" laminated column	16
SWP64GL	4-Ply 6"	18"	5-9/16" pocket fits 4-Ply 6" laminated column	21
SWP83GL	3-Ply 8"	18"	4-3/16" pocket fits 3-Ply 8" laminated column	27
SWP84GL	4-Ply 8"	18"	5-9/16" pocket fits 4-Ply 8" laminated column	28
SWP85GL	5-Ply 8"	18"	6-15/16" pocket fits 5-Ply 8" laminated column or 8" x 8" post	29

WET SET



*Hardware sold separately.



STURDI-WALL
ANCHOR BRACKETS

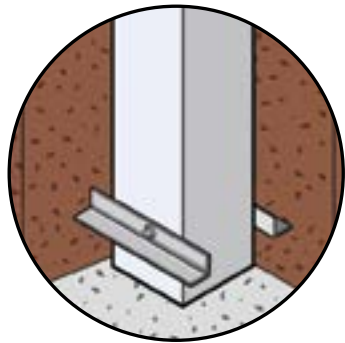
PRECAST CONCRETE DECK POSTS

Protect your deck investment with precast concrete deck posts from Perma-Column®.
ICC-ES certified Perma-Column® precast deck posts install fast and are built to last.

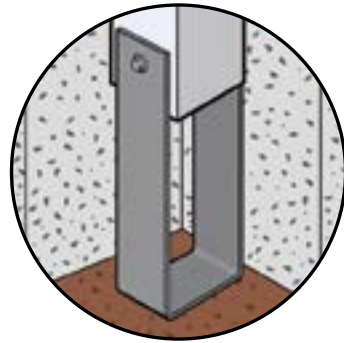


Model ID	Type	Description	Weight (lbs.)
DP4430	4" x 4" x 30"	3-5/8" pocket fits 4" x 4" post 30" long*	38
DP4440	4" x 4" x 40"	3-5/8" pocket fits 4" x 4" post 40" long*	50
DP4448	4" x 4" x 48"	3-5/8" pocket fits 4" x 4" post 48" long*	60
DP4460	4" x 4" x 60"	3-5/8" pocket fits 4" x 4" post 60" long*	75
DP6630	6" x 6" x 30"	5-5/8" pocket fits 6" x 6" post 30" long*	90
DP6640	6" x 6" x 40"	5-5/8" pocket fits 6" x 6" post 40" long*	118
DP6648	6" x 6" x 48"	5-5/8" pocket fits 6" x 6" post 48" long*	131
DP6660	6" x 6" x 60"	5-5/8" pocket fits 6" x 6" post 60" long*	151
DP6430	6" x 6" x 30"	6-1/8" pocket fits rough sawn 6" x 6" post 30" long*	90
DP6440	6" x 6" x 40"	6-1/8" pocket fits rough sawn 6" x 6" post 40" long*	118
DP6448	6" x 6" x 48"	6-1/8" pocket fits rough sawn 6" x 6" post 48" long*	131
DP6460	6" x 6" x 60"	6-1/8" pocket fits rough sawn 6" x 6" post 60" long*	151

*Hardware sold separately.



UPLIFT ANCHORS
AVAILABLE



COLUMN EXTENDERS
AVAILABLE

HARDWARE

Get all the wedge anchors, screws, and nails you need to assemble Perma-Column® products. We sell hardware individually or in kits. See our hardware specifications below.



SOLD SEPARATELY

Model ID	Size	Description
HW10	5/8" x 6"	Wedge anchor, screw type, zinc-plated. Install anchor with 5/8" masonry drill bit. Drill hole 5/8" deeper than anchor. Tighten to 75 ft.-lbs.
HW22	1/4" x 2"	Grade 2 galvanized power grip screw (Deck posts only)
HW45	1/4" x 3"	Grade 5 galvanized power grip screw
HW28	3/16" x 2-1/2"	Galvanized nails. Connect a building's lower splash board to the concrete Perma-Column®. Start by drilling a 3/16" hole through the splash board into the concrete post 1-1/4" deep using a hammer drill. Stay 1-3/4" away from the edge of the post. Finally, secure splash board by hammering concrete nail like a typical nail.

UNIVERSAL DRILL SET HARDWARE

Model ID	Item	Description
HW60DS	6" universal	6" universal drill set hardware. Drill set hardware for 6" column at corner and door jamb includes: <ul style="list-style-type: none"> • (2) 1/2" x 7" zinc-plated Grade 5 carriage bolts, washers, and nuts • (2) 1/4" x 3" Grade 5 galvanized power grip screw (Item HW45) • (1) 5/8" x 6" wedge anchor, screw type, zinc-plated (Item HW10)
HW80DS	8" universal	8" universal drill set hardware. Drill set hardware for 8" column at corner and door jamb includes: <ul style="list-style-type: none"> • (2) 1/2" x 9" zinc-plated Grade 5 carriage bolts, washers, and nuts • (4) 1/4" x 3" Grade 5 galvanized power grip screw (Item HW45) • (1) 5/8" x 6" wedge anchor, screw type, zinc-plated (Item HW10)

HARDWARE KITS

Hardware kits are to be used for Perma-Column®, Sturdi-Wall® Plus products, and deck posts. They are available in a variety of options. See specifications below.



PERMA-COLUMN® AND STURDI-WALL® PLUS HARDWARE

Model ID	Item	Description
HW46	4" x 6" kit	Wood-to-bracket connection hardware for 4" x 6" post includes: <ul style="list-style-type: none"> • (2) 1/2" x 5" zinc-plated Grade 5 bolts, washers, and nuts • (4) 1/4" x 3" Grade 5 galvanized power grip screw (Item HW45)
HW63	3-Ply 6" kit	Wood-to-bracket connection hardware for 3-Ply 6" laminated column includes: <ul style="list-style-type: none"> • (2) 1/2" x 6" zinc-plated Grade 5 bolts, washers, and nuts • (4) 1/4" x 3" Grade 5 galvanized power grip screw (Item HW45)
HW66	6" x 6" kit	Wood-to-bracket connection hardware for 6" x 6" post includes: <ul style="list-style-type: none"> • (2) 1/2" x 7" zinc-plated Grade 5 bolts, washers, and nuts • (4) 1/4" x 3" Grade 5 galvanized power grip screw (Item HW45)
HW64	4-Ply 6" kit	Wood-to-bracket connection hardware for 4-Ply 6" laminated column includes: <ul style="list-style-type: none"> • (2) 1/2" x 7-1/2" zinc-plated Grade 5 bolts, washers, and nuts • (4) 1/4" x 3" Grade 5 galvanized power grip screw (Item HW45)
HW83	3-Ply 8" kit	Wood-to-bracket connection hardware for 3-Ply 8" laminated column includes: <ul style="list-style-type: none"> • (2) 1/2" x 6" zinc-plated Grade 5 bolts, washers, and nuts • (8) 1/4" x 3" Grade 5 galvanized power grip screw (Item HW45)
HW84	4-Ply 8" kit	Wood-to-bracket connection hardware for 4-Ply 8" laminated column includes: <ul style="list-style-type: none"> • (2) 1/2" x 7-1/2" zinc-plated Grade 5 bolts, washers, and nuts • (8) 1/4" x 3" Grade 5 galvanized power grip screw (Item HW45)
HW85	5-Ply 8" kit	Wood-to-bracket connection hardware for 5-Ply 8" laminated column includes: <ul style="list-style-type: none"> • (2) 1/2" x 9" zinc-plated Grade 5 bolts, washers, and nuts • (8) 1/4" x 3" Grade 5 galvanized power grip screw (Item HW45)
HW88	8" x 8" kit	Wood-to-bracket connection hardware for 8" x 8" post includes: <ul style="list-style-type: none"> • (2) 1/2" x 9-1/2" zinc-plated Grade 5 bolts, washers, and nuts • (8) 1/4" x 3" Grade 5 galvanized power grip screw (Item HW45)

DECK POST HARDWARE

Model ID	Item	Description
HWD44	4" x 4" kit	Wood-to-bracket connection hardware for 4" x 4" post includes: <ul style="list-style-type: none"> • (8) 1/4" x 2" Grade 2 galvanized power grip screw (Item HW22)
HWD60	6" x 6" kit	Wood-to-bracket connection hardware for 6" x 6" post includes: <ul style="list-style-type: none"> • (10) 1/4" x 2" Grade 2 galvanized power grip screw (Item HW22)

DRILL SET HARDWARE KITS

Drill set hardware kits are available in a variety of options. See specifications below.

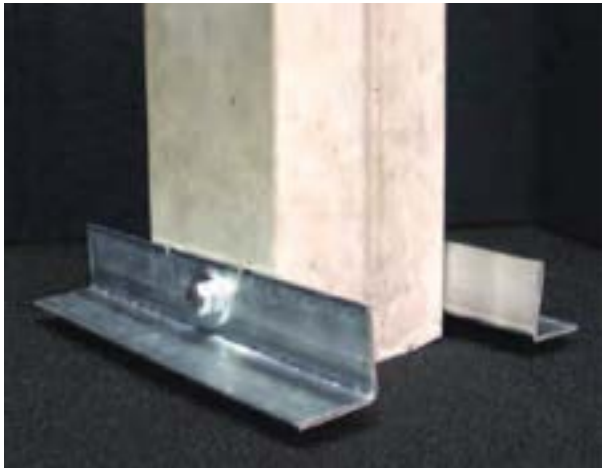


STURDI-WALL® HARDWARE

Model ID	Item	Description
HW46DS	4" x 6" drill set kit	Wood-to-bracket connection hardware for 4" x 6" post includes: <ul style="list-style-type: none"> • (2) 1/2" x 5" zinc-plated Grade 5 bolts, washers, and nuts • (4) 1/4" x 3" Grade 5 galvanized power grip screw (Item HW45) • (2) 5/8" x 6" wedge anchor, screw type, zinc-plated (Item HW10)
HW63DS	3-Ply 6" drill set kit	Drill set hardware for 3-Ply 6" laminated column includes: <ul style="list-style-type: none"> • (2) 1/2" x 6" zinc-plated Grade 5 bolts, washers, and nuts • (4) 1/4" x 3" Grade 5 galvanized power grip screw (Item HW45) • (2) 5/8" x 6" wedge anchor, screw type, zinc-plated (Item HW10)
HW66DS	6" x 6" drill set kit	Drill set hardware for 6" x 6" post includes: <ul style="list-style-type: none"> • (2) 1/2" x 7" zinc-plated Grade 5 bolts, washers, and nuts • (4) 1/4" x 3" Grade 5 galvanized power grip screw (Item HW45) • (2) 5/8" x 6" wedge anchor, screw type, zinc-plated (Item HW10)
HW64DS	4-Ply 6" drill set kit	Drill set hardware for 4-Ply 6" laminated column includes: <ul style="list-style-type: none"> • (2) 1/2" x 7-1/2" zinc-plated Grade 5 bolts, washers, and nuts • (4) 1/4" x 3" Grade 5 galvanized power grip screw (Item HW45) • (2) 5/8" x 6" wedge anchor, screw type, zinc-plated (Item HW10)
HW83DS	3-Ply 8" drill set kit	Drill set hardware for 3-Ply 8" laminated column includes: <ul style="list-style-type: none"> • (2) 1/2" x 6" zinc-plated Grade 5 bolts, washers, and nuts • (8) 1/4" x 3" Grade 5 galvanized power grip screw (Item HW45) • (2) 5/8" x 6" wedge anchor, screw type, zinc-plated (Item HW10)
HW84DS	4-Ply 8" drill set kit	Drill set hardware for 4-Ply 8" laminated column includes: <ul style="list-style-type: none"> • (2) 1/2" x 7-1/2" zinc-plated Grade 5 bolts, washers, and nuts • (8) 1/4" x 3" Grade 5 galvanized power grip screw (Item HW45) • (2) 5/8" x 6" wedge anchor, screw type, zinc-plated (Item HW10)
HW85DS	5-Ply 8" drill set kit	Drill set hardware for 5-Ply 8" laminated column includes: <ul style="list-style-type: none"> • (2) 1/2" x 9" zinc-plated Grade 5 bolts, washers, and nuts • (8) 1/4" x 3" Grade 5 galvanized power grip screw (Item HW45) • (2) 5/8" x 6" wedge anchor, screw type, zinc-plated (Item HW10)
HW88DS	8" x 8" drill set kit	Drill set hardware for 8" x 8" post includes: <ul style="list-style-type: none"> • (2) 1/2" x 9-1/2" zinc-plated Grade 5 bolts, washers, and nuts • (8) 1/4" x 3" Grade 5 galvanized power grip screw (Item HW45) • (2) 5/8" x 6" wedge anchor, screw type, zinc-plated (Item HW10)

UPLIFT ANCHOR KITS

Uplift anchors are bolted to the existing precast pipe at the base of a Perma-Column®. The stated uplift protection is approximated for when the anchors are properly installed and backfilled with dirt.

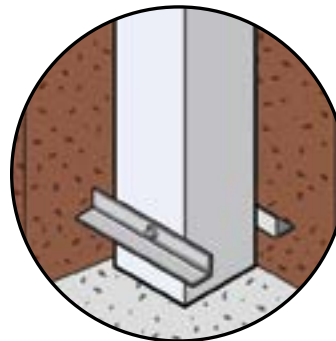


UPLIFT ANCHOR KIT FOR PC 6" SERIES AND DECK POST

Model ID	Size	Description
UA61	8-1/2"	Kit includes: • (2) 2" x 2" x 8-1/2" galvanized angles • (1) 1/2" x 6" galvanized Grade 5 bolt, nut, and washer
UA62	12"	Kit includes: • (2) 2" x 2" x 12" galvanized angles • (1) 1/2" x 6" galvanized Grade 5 bolt, nut, and washer

UPLIFT ANCHOR KIT FOR PC 8" SERIES

Model ID	Size	Description
UA81	8-1/2"	Kit includes: • (2) 2" x 2" x 8-1/2" galvanized angles • (1) 1/2" x 8" galvanized Grade 5 bolt, nut, and washer
UA82	12"	Kit includes: • (2) 2" x 2" x 12" galvanized angles • (1) 1/2" x 8" galvanized Grade 5 bolt, nut, and washer



COLUMN EXTENDERS

Perma-Column® column extenders provide deeper post embedment.
All kits include bolt, nut, and washer to connect with Perma-Column®.



COLUMN EXTENDER FOR PC 6" SERIES AND DECK POST

Model ID	Size	Description
CE61	12"	12" column extender for 6" Perma-Column® provides deeper post embedment. Kit includes 7" bolt, nut, and washer to connect with Perma-Column®.
CE62	24"	24" column extender for 6" Perma-Column® provides deeper post embedment. Kit includes 7" bolt, nut, and washer to connect with Perma-Column®.

COLUMN EXTENDER FOR PC 8" SERIES

Model ID	Size	Description
CE81	12"	12" column extender for 8" Perma-Column® provides deeper post embedment. Kit includes 9" bolt, nut, and washer to connect with Perma-Column®.
CE82	24"	24" column extender for 8" Perma-Column® provides deeper post embedment. Kit includes 9" bolt, nut, and washer to connect with Perma-Column®.

